



Active Safety

AI Powered
Active Arcing Protection



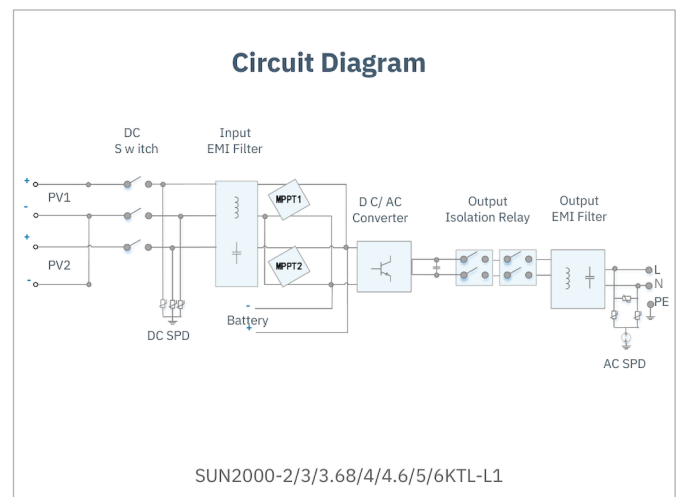
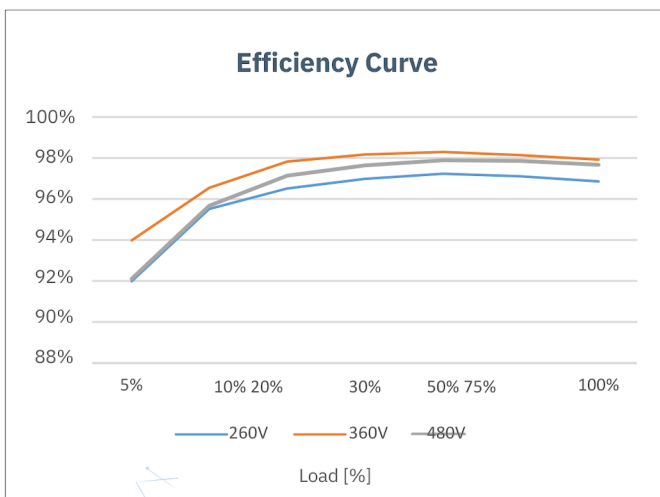
Higher Yields

Up to 30% More
Energy with Optimizer



2x POWER Battery Ready

5KW AC Output plus
5KW Battery Charge



Technical Specification

Technical Specification	S UN2000 -2KTL-L1	S UN2000 -3KTL-L1	S UN2000 -3.68KTL-L1	S UN2000 -4KTL-L1	S UN2000 -4.6KTL-L1	S UN2000 -5KTL-L1	S UN2000 -6KTL-L11
-------------------------	----------------------	----------------------	-------------------------	----------------------	------------------------	----------------------	-----------------------

Efficiency

Max. efficiency	98.2 %	98.3 %	98.4 %	98.4 %	98.4 %	98.4 %	98.4 %
European weighted efficiency	96.7 %	97.3 %	97.3 %	97.5 %	97.7 %	97.8 %	97.8 %

Input (PV)

Recommended max. PV power 2	3,000 Wp	4,500 Wp	5,520 Wp	6,000 Wp	6,900 Wp	7,500 Wp	9,000 Wp
Max. input voltage	600 V 3						
Start-up voltage	100 V						
MPPT operating voltage range	90 V – 560 V 3						
Rated input voltage	360 V						
Max. input current per MPPT	12.5 A						
Max. short-circuit current	18 A						
Number of MPP trackers	2						
Max. number of inputs	2						

Input (DC Battery)

Compatible Battery	LG Chem RESU 7H_R / 10H_R						
Operating voltage range	350 ~ 450 Vdc						
Max operating current	10 A @7H_R / 15 A @10H_R						
Max charge power	3,500 W @7H_R / 5,000 W @10H_R						
Max discharge Power @7H_R	2,200 W	3,300 W		3,500 W 3,500 W 3,500 W	3,500 W	3,500 W	
Max discharge Power @10H_R	2,200 W	3,300 W		3,680 W 4,400 W 4,600 W	5,000 W	5,000 W	
Compatible Battery	HUAWEI Smart ESS Battery 5kWh – 30kWh 1						
Operating voltage range	350 ~ 560 Vdc						
Max operating current	15 A						
Max charge Power	5,000 W 4						
Max discharge Power	2,200 W	3,300 W		3,680 W 4,400 W 4,600 W	5,000 W	5,000 W	

Output

Grid connection	Single phase						
Rated output power	2,000 W	3,000 W	3,680 W 4,000 W 4,600 W 3,680 W 4,400 W 4,600 W	5,000 W 5	6,000 W		
Max. apparent power	2,200 VA	3,300 VA	5,000 VA 6	5,500 VA	6,000 VA		
Rated output voltage	220 Vac/ 230 Vac/ 240 Vac						
Rated AC grid frequency	50 Hz / 60 Hz						
Max. output current	10 A	15 A	16 A 20 A 23 A 8	25 A 8	27.3 A		
Adjustable power factor	0.8 leading ... 0.8 lagging						
Max. total harmonic distortion	≤ 3 %						
Backup power output	Yes (via Backup Box-B0 1)						

Protection & Feature

Anti-Islanding protection	Yes
DC reverse polarity protection	Yes
Insulation monitoring	Yes
DC surge protection	Yes, compatible with TYPE II protection class according to EN/IEC 61643-11
AC surge protection	Yes, compatible with TYPE II protection class according to EN/IEC 61643-11
Residual current monitoring	Yes
AC overcurrent protection	Yes
AC short-circuit protection	Yes
AC overvoltage protection	Yes
Over-heat protection	Yes
Arc fault protection	Yes
Battery reverse charging from grid	Yes

General Data

Operating temperature range	° -25 ~ +60 C
Relative operating humidity	0 %RH ~ 100%RH
Operating altitude	0 ~ 4,000 m (Derating above 2,000 m)
Cooling	Natural convection
Disp lay	LED indicators; integrated WLAN + FusionSolarAPP
Communication	RS485, WLAN via inverter built-in WLAN module Ethernet via Smart Dongle-WLAN-FE (Optional); 4G / 3G / 2G via Smart Dongle-4G (Optional)
Weight (incl. mounting bracket)	12.0 kg (26.5 lb)
Dimension (incl. mounting bracket)	365mm * 365mm * 156 mm (14.4 x 14.4 x 6.1 inch)
Degree of protection	IP65
Nighttime Power Consumption	< 2.5 W

Optimizer Compatibility

DC MBUS compatible optimizer	SUN2000-450W-P
------------------------------	----------------

Standard Compliance (more available upon request)

Safety	EN/IEC 62109-1, EN/IEC 62109-2
Grid connection standards	G98, G99, EN 50549-1, CEI 0-21, VDE-AR-N-4105, AS 4777.2, C10/11, ABNT, UTE C15-712, RD 1699, TOR D4, IEC61727, IEC62116

*1 Available in 2020 Q3.

*2 Inverter max input PV power is 10,000 Wp when long strings are designed and fully connected with SUN2000-450W-P power optimizers.

*3 The maximum input voltage and operating voltage upper limit will be reduced to 495 V when inverter connects and works with LG battery. *4

2,500 W @ 5kWh HUAWEI ESS battery

*5 AS4777.2: 4,991W. *6. VDE-AR-N 4105: 4,600VA / AS4777.2: 4,999VA. *7. AS4777.2: 4,999VA / C10/11: 5,000VA *8. AS4777.2: 21.7A.