

SUN2000-50KTL-M3
Smart PV Controller



Higher Yields

Upto30%MoreEnergy
 with Optimizer



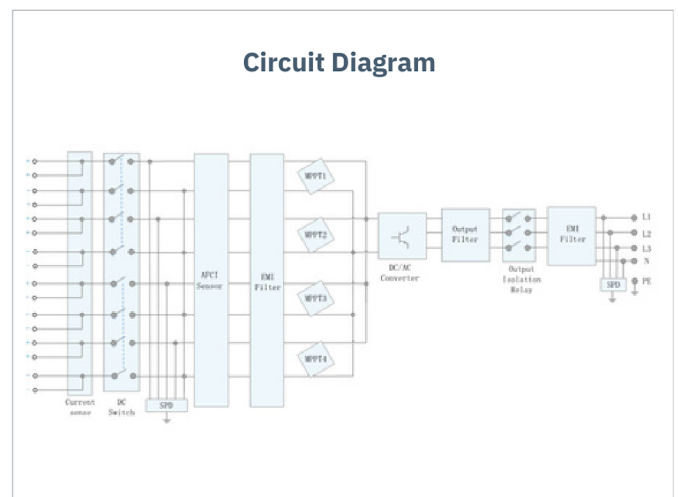
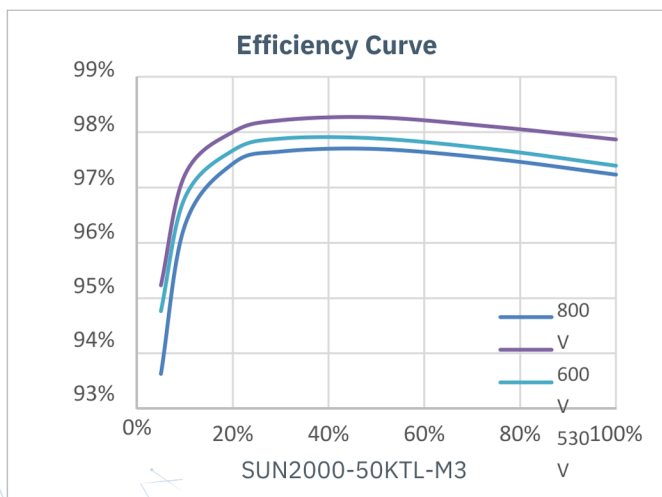
Active Safety

AI Powered
 Active Arcing Protection



Flexible Communication

WLAN, Fast Ethernet, 4G
 Communication
 Supported



Technical Specification

Technical Specification		SUN2000-50KTL-M3
Efficiency		
Max. Efficiency		98.5
European Efficiency		%
		98.0
Input		
Max. Input Voltage 1		1,100 V
Max. Current perMPPT		30 A (perMPPT) / 20 A (perInput)
Max. Short Circuit Current perMPPT		40A
Start Voltage		200V
MPPT Operating Voltage Range 2		200 V ~ 1,000V
Rated InputVoltage		600V
Number ofInputs		8
Number of MPPTTrackers		4
Output		
Rated AC ActivePower		50,000 W
Max. AC ApparentPower		55,000 VA
Max. AC Active Power(cosφ=1)		55,000 W
Rated OutputVoltage		400 Vac/ 480 Vac, 3W+(N) + PE
Rated AC GridFrequency		50 Hz / 60Hz
Rated OutputCurrent		72.2 A @ 400Vac, 60.1 A @ 480Vac
Max. OutputCurrent		79.8 A @ 400Vac, 66.5 A @ 480Vac
Adjustable Power FactorRange		0.8 LG ... 0.8LD
Max. Total HarmonicDistortion		<3%
Protection		
Input-side DisconnectionDevice		Yes
Anti-islanding Protection		Yes
AC OvercurrentProtection		Yes
DC Reverse-polarityProtection PV-array String FaultMonitoring DC		Yes
SurgeArrester		Type II
AC SurgeArrester		Type II
DC Insulation ResistanceDetection		Yes
Residual Current MonitoringUnit		Yes
ArcFaultProtection		Yes
Ripple ReceiverControl		Yes
Integrated PIDRecovery3		Yes
Communication		
Di s pl ay		LED Indicators, Bluetooth + APP
RS485		Yes
Smart Dongle		WLAN/EthernetviaSmartDongle-WLAN-FE(Optional) 4G / 3G / 2G via Smart Dongle-4G (Optional)
Monitoring BUS(MBUS)		Yes(IsolationTransformer required)
General Data		
Dimensions (W x H xD)		640 x 530 x 270 mm (25.2 x 20.9 x 10.6 inch)
Weight (with mountingplate)		49 kg (108.1 lb)
Operating TemperatureRange		-25°C ~ 60°C (-13°F ~ 140°F)
Cooling Method		Smart Air Cooling
Max. OperatingAltitude		4,000 m (13,123 ft.)
Relative Humidity		0% RH ~ 100% RH
DC Connector		Amphenol HeliosH4
AC Connector		Waterproof Connector + OT/DT Terminal
Protection Degree		IP 66
Topology		Transformerless
Nighttime PowerConsumption		≤ 5.5W
Standard Compliance (more available upon request)		
Safety		IEC 62109-1/-2, IEC 62109-1/-2, EN 50530, IEC 62116, IEC 60068, IEC 61683
Grid Connection Standards		IEC 61727,VDE-AR-N4105,VDE 4110, VDE0126-1-1,BDEW,G59/3,UTE15-712-1,CEI0-16,CEI0-21,RD661, RD1699,P.O.12.3, RD413,EN-50438-Turkey,EN-50438-Ireland,C10/11,MEA,ResolutionNo.7, NRS097-2-1,DEWA