

# Smart Energy Controller

## SUN2000-3-10KTL-M1 (High Current Version)



### Active Safety

AI Powered  
Active Arcing Protection



### Higher Yields

Upto 30% More Energy  
with Optimizer 1



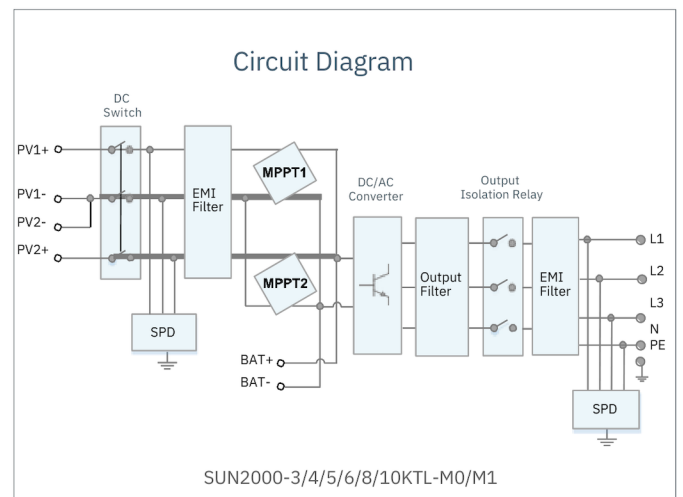
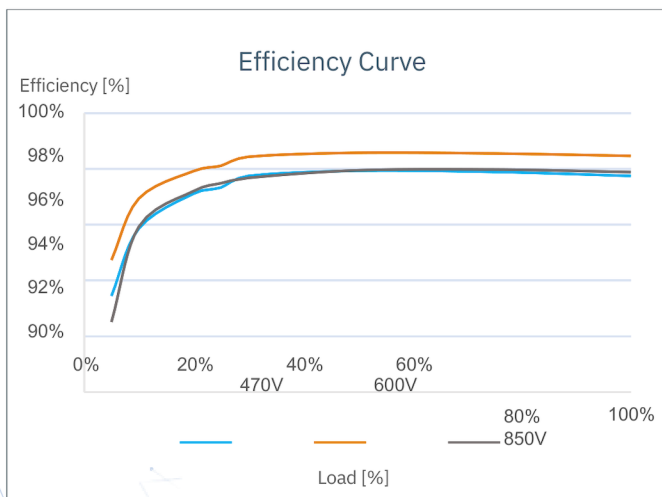
### Battery Ready

Plug & Play battery interface 2



### Flexible Communication

WLAN, Fast Ethernet, 4G  
Communication Supported



\*1. Only applicable to SUN2000-3/4/5/6/8/10KTL-M1 smart energy center.  
\*2. SUN2000-3/4/5/6/8/10KTL-M0 will be compatible with HUAWEI smart string ESS in Q1, 2021.

SUN2000-3/4/5/6/8/10KTL-M1 (High Current Version)  
**Technical Specification**

| Technical Specification                                  | SUN2000<br>-3KTL-M1   | SUN2000<br>-4KTL-M1 | SUN2000<br>-5KTL-M1 | SUN2000<br>-6KTL-M1 | SUN2000<br>-8KTL-M1 | SUN2000<br>-10KTL-M1 |
|--|---|---------------------|---------------------|---------------------|---------------------|----------------------|
| <b>Efficiency</b>  |   |                     |                     |                     |                     |                      |
| Max. efficiency  | 98.2%   | 98.3%               | 98.4%               | 98.6%               | 98.6%               | 98.6%                |
| European weighted efficiency                             | 96.7%   | 97.1%               | 97.5%               | 97.7%               | 98.0%               | 98.1%                |
| <b>Input (PV)</b>  |   |                     |                     |                     |                     |                      |
| Recommended max. PV power 1                              | 4,500Wp   | 6,000Wp             | 7,500Wp             | 9,000Wp             | 12,000 Wp           | 15,000 Wp            |
| Max. input voltage 2                                     | 1,100 V   |                     |                     |                     |                     |                      |
| Operating voltage range 3                                | 140 V ~ 980 V   |                     |                     |                     |                     |                      |
| Start-up voltage   | 200V  |                     |                     |                     |                     |                      |
| Rated input voltage                                      | 600V  |                     |                     |                     |                     |                      |
| Max. input current per MPPT                              | 13.5 A  |                     |                     |                     |                     |                      |
| Max. short-circuit current                               | 19.5 A  |                     |                     |                     |                     |                      |
| Number of MPP trackers                                   | 2   |                     |                     |                     |                     |                      |
| Max. input number per MPP tracker                        | 1   |                     |                     |                     |                     |                      |
| <b>Input (DC Battery)</b>                                |   |                     |                     |                     |                     |                      |
| Compatible Battery                                       | HUAWEI SmartString ESS 5kWh~30kWh   |                     |                     |                     |                     |                      |
| Operating voltage range                                  | 600 V ~ 980 V   |                     |                     |                     |                     |                      |
| Max operating current                                    | 16.7 A  |                     |                     |                     |                     |                      |
| Max charge Power   | 10,000 W  |                     |                     |                     |                     |                      |
| Max discharge Power                                      | 3,300 W   | 4,400 W             | 5,500W              | 6,600W              | 8,800 W             | 10,000 W             |
| <b>Output (On Grid)</b>                                  |   |                     |                     |                     |                     |                      |
| Grid connection  | Three-phase   |                     |                     |                     |                     |                      |
| Rated output power                                       | 3,000 W   | 4,000 W             | 5,000W              | 6,000W              | 8,000 W             | 10,000 W             |
| Max. apparent power                                      | 3,300 VA  | 4,400 VA            | 5,500VA             | 6,600VA             | 8,800 VA            | 11,000 VA 4          |
| Rated output voltage                                     | 220Vac/380 Vac, 230Vac/400Vac, 3W /N+PE 50  |                     |                     |                     |                     |                      |
| Rated AC grid frequency                                  | Hz / 60 Hz  |                     |                     |                     |                     |                      |
| Max. output current                                      | 5.1A  | 6.8A                | 8.5A                | 10.1A               | 13.5 A              | 16.9 A               |
| Adjustable power factor                                  | 0.8 leading ... 0.8 lagging   |                     |                     |                     |                     |                      |
| Max. total harmonic distortion                           | ≤ 3 %   |                     |                     |                     |                     |                      |
| <b>Output (Off Grid)</b>                                 |   |                     |                     |                     |                     |                      |
| Backup Box   | Backup Box-B1   |                     |                     |                     |                     |                      |
| Maximum apparent power                                   | 3,000 VA  | 3,300 VA            | 3,300VA             | 3,300VA             | 3,300 VA            | 3,300 VA             |
| Rated output voltage                                     | 220 V / 230 V   |                     |                     |                     |                     |                      |
| Maximum output current                                   | 13.6 A  | 15A                 | 15A                 | 15A                 | 15A                 | 15A                  |
| Power factor range                                       | 0.8 leading ... 0.8 lagging   |                     |                     |                     |                     |                      |
| <b>Features &amp; Protections</b>                        |   |                     |                     |                     |                     |                      |
| Input-side disconnection device                          | Yes   |                     |                     |                     |                     |                      |
| Anti-Islanding protection                                | Yes   |                     |                     |                     |                     |                      |
| DC reverse polarity protection                           | Yes   |                     |                     |                     |                     |                      |
| Insulation monitoring                                    | Yes   |                     |                     |                     |                     |                      |
| DC surge protection                                      | Yes, compatible with TYPE II protection class according to EN/IEC 61643-11  |                     |                     |                     |                     |                      |
| AC surge protection                                      | Yes, compatible with TYPE II protection class according to EN/IEC 61643-11  |                     |                     |                     |                     |                      |
| Residual current monitoring                              | Yes   |                     |                     |                     |                     |                      |
| AC overcurrent protection                                | Yes   |                     |                     |                     |                     |                      |
| AC short-circuit protection                              | Yes   |                     |                     |                     |                     |                      |
| AC overvoltage protection                                | Yes   |                     |                     |                     |                     |                      |
| Arc fault protection                                     | Yes   |                     |                     |                     |                     |                      |
| Ripple receiver control                                  | Yes   |                     |                     |                     |                     |                      |
| Integrated PID recovery 5                                | Yes   |                     |                     |                     |                     |                      |
| Battery reverse charging from grid                       | Yes   |                     |                     |                     |                     |                      |
| <b>General Data</b>                                      |   |                     |                     |                     |                     |                      |
| Operating temperature range                              | ° -25~ +60C (-13F ~ 140F)   |                     |                     |                     |                     |                      |
| Relative operating humidity                              | 0 %RH~100 %RH   |                     |                     |                     |                     |                      |
| Max. operating altitude                                  | 4,000m (13,123ft.)(Derating above 2000m)  |                     |                     |                     |                     |                      |
| Cooling  | Natural convection  |                     |                     |                     |                     |                      |
| Display  | LED Indicators; Integrated WLAN + FusionSolar App   |                     |                     |                     |                     |                      |
| Communication  | RS485; WLAN/Ethernet via Smart Dongle-WLAN-FE; 4G/3G/ 2G via Smart Dongle-4G(Optional)  |                     |                     |                     |                     |                      |
| Weight (incl. mounting bracket)                          | 17 kg (37.5 lb)   |                     |                     |                     |                     |                      |
| Dimension (incl. mounting bracket)                       | 525x470x146.5mm(20.7x18.5x 5.8inch)   |                     |                     |                     |                     |                      |
| Degree of protection                                     | IP65  |                     |                     |                     |                     |                      |
| Nighttime Power Consumption                              | <5.5W6  |                     |                     |                     |                     |                      |
| <b>Optimizer Compatibility</b>                           |   |                     |                     |                     |                     |                      |
| DC MBUS compatible optimizer                             | SUN2000-450W -P   |                     |                     |                     |                     |                      |
| <b>Standard Compliance (more available upon request)</b> |   |                     |                     |                     |                     |                      |
| Certificate  | EN/IEC62109-1, EN/IEC62109-2, IEC 62116   |                     |                     |                     |                     |                      |
| Grid connection standards                                | G98, G99, EN 50438, CEI 0-21, VDE-AR-N-4105, AS 4777, C10/11, ABNT, UTE C15-712, RD 1699, TOR D4, NRS 097-2-1, IEC61727, IEC62116, DEWA |                     |                     |                     |                     |                      |

\*1 Inverter max input PV power is 20,000Wp when long strings are redesigned and fully connected with SUN2000-450W-P power optimizers.

\*2 The maximum input voltage is the upper limit of the DC voltage. Any higher input DC voltage would probably damage inverter.

\*3 Any DC input voltage beyond the operating voltage range may result in inverter improper operating. \*4 C10/11: 10,000VA

\*5 SUN2000-3-10KTL-M1 raises potential between PV and ground to above zero through integrated PID recovery function to recover module degradation from PID. Supported module types include: P-type (mono, poly). \*6.

<10 W when PID recovery function is activated.